



BOARDROOM &
MEETING SOLUTIONS




modulink



Meeting tables with 25mm round top and 18mm cruciform base. Top overhangs the base by 150mm on 900mm diameter table and 200mm on 1200mm diameter table. Simple cam assembly.

RICO MEETING TABLE MODELS:

MODEL	DESCRIPTION	DIAMETER mm	HEIGHT mm
 8001	900mm diameter round meeting table.	900	725
8002	1200mm diameter round meeting table.	1200	725



CRUCIFORM BASE



ROUND TOP

For details of finishes available with these models please refer to the Board & Fabric Finishes section of this catalogue.



SQUARE OR ROUND TOP



CRUCIFORM BASE

Coffee tables with 25mm round or square top and 18mm cruciform base. Tops overhang the base by 100mm. Simple cam assembly.

RICO COFFEE TABLE MODELS:

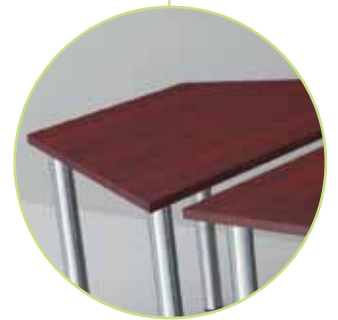
MODEL	DESCRIPTION	DIAMETER mm	HEIGHT mm
8010	Coffee table, square top.	600	450
8011	Coffee table, round top.	600	450



Modular meeting table solution, with rectangular internal modules and trapezoidal end modules. Alternatively, six end units will create a hexagonal table. Constructed with 60mm metal legs and 25mm tops.

RICO MODULAR TABLE MODELS:

MODEL	DESCRIPTION	LENGTH mm	DEPTH mm	HEIGHT mm
8031	Rectangular internal modules.	1500	750	715 -740
8032	Trapezoidal end modules.	1500	650 (750)	715 -740



TRAPEZOIDAL
END UNITS



HEXAGONAL
CONFIGURATION

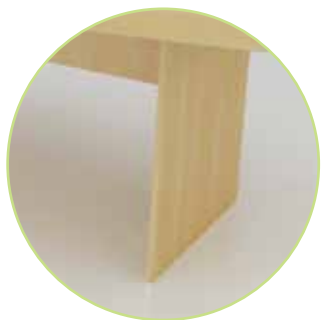
For details of finishes available with these models please refer to the Board & Fabric Finishes section of this catalogue.



D-END



V-BASE



H-BASE

D-end boardroom tables with v-base or h-base. Top and base constructed with 25mm board. Simple cam assembly.

RICO BOARDROOM D-END TABLE MODELS:

MODEL	DESCRIPTION	LENGTH mm	DEPTH mm	HEIGHT mm
8401	2400mm long boardroom table, D-end, V-base.	2400	1200	725
8402	1800mm long boardroom table, D-end, V-base.	1800	1200	725
8406	1800mm long boardroom table, D-end, H-base.	1800	1200	725



Boat-shape boardroom tables with v-bases. Top and base constructed with 25mm board. Simple cam assembly.

RICO BOARDROOM BOAT TABLE MODELS:

MODEL	DESCRIPTION	LENGTH mm	DEPTH mm	HEIGHT mm
8403	2400mm long boardroom table.	2400	1200	725
8404	1800mm long boardroom table.	1800	1200	725



BOAT-SHAPE



V-BASE

For details of finishes available with these models please refer to the Board & Fabric Finishes section of this catalogue.

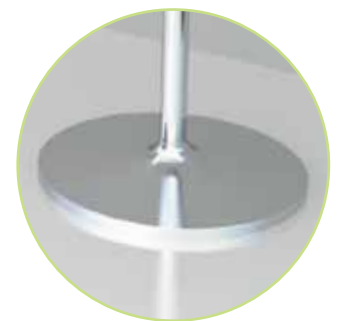


SPIDER BASE

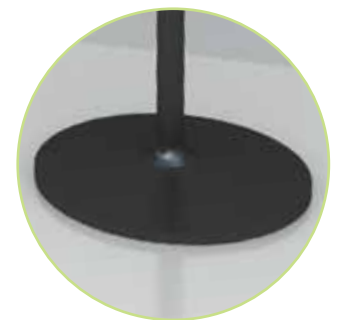
Meeting tables with 25mm round tops, 900mm in diameter. Metal bases available in Spider or Trumpet design. Spider legs available in silver powder coat finish. Trumpet bases available in chrome finish or black powder coat frame.

ELITE MEETING TABLE MODELS:

MODEL	DESCRIPTION	DIAMETER mm	HEIGHT mm
8501	Round meeting table, Spider base.	900	725
8502	Round meeting table, Flute base (silver).	900	725
8503	Round meeting table, Trumpet base.	900	725



TRUMPET CHROME

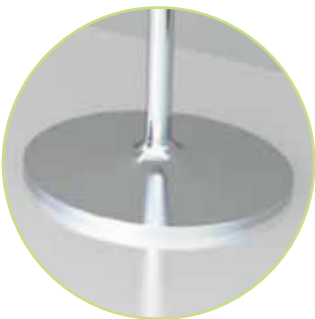


TRUMPET BLACK

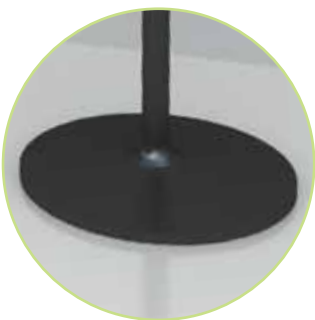
For details of finishes available with these models please refer to the Board & Fabric Finishes section of this catalogue.



SPIDER BASE



TRUMPET CHROME



TRUMPET BLACK

Meeting tables with 25mm round tops, 1200mm in diameter. Metal bases available in Spider or Trumpet design. Spider legs available in silver powder coat finish. Trumpet bases available in chrome finish or black powder coat frame.

ELITE MEETING TABLE MODELS:

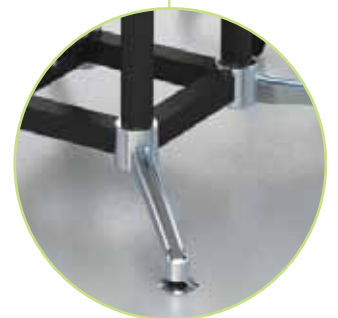
MODEL	DESCRIPTION	DIAMETER mm	HEIGHT mm
8504	Round meeting table, Spider base.	1200	725
8505	Round meeting table, Flute base (silver).	1200	725
8506	Round meeting table, Trumpet base.	1200	725



Meeting table with 25mm top, 1200mm in diameter. Table has four-leg metal Mantis base. Tops available with PVC or sharknose edges.

ELITE MEETING MANTIS TABLE MODELS:

MODEL	DESCRIPTION	DIAMETER mm	HEIGHT mm
8601	Round meeting table, Mantis base, PVC edges.	1200	725
8602	Round meeting table, Mantis base, sharknose edges.	1200	725

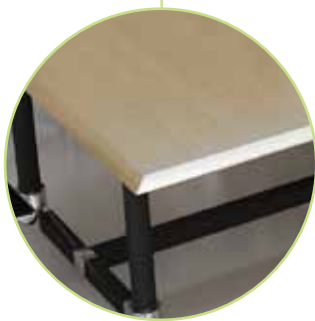


MANTIS BASE

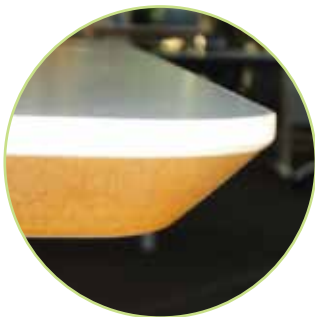


SHARKNOSE EDGE

For details of finishes available with these models please refer to the Board & Fabric Finishes section of this catalogue.



REVERSE SHARKNOSE
EDGE



SHARKNOSE EDGE

Boardroom tables with 36mm tops and six or eight leg Mantis bases. Tops available with PVC, square or sharknose edges. Table shown has hoop pine plywood top with 2-pack clear lacquer finish.

ELITE BOARDROOM MANTIS TABLE MODELS:

MODEL	DESCRIPTION	LENGTH mm	DEPTH mm	HEIGHT mm
8701	Boardroom table, eight leg Mantis base, square edge.	3000	1500	725
8702	Boardroom table, eight leg Mantis base, reverse sharknose edge.	3000	1500	725
8703	Boardroom table, eight leg Mantis base, standard sharknose edge.	3000	1500	725
8704	Boardroom table, six leg Mantis base, square edge.	3000	1500	725



Boardroom tables with Spider legs. 25mm tops with square edges available as D-ends or boat-shape. Tops available with sharknose edges as an optional extra.

ELITE BOARDROOM SPIDER TABLE MODELS:

MODEL	DESCRIPTION	LENGTH mm	DEPTH mm	HEIGHT mm
8704	D-end/boat-shape boardroom table, Spider base, square edges, 2400mm long.	2400	1200	725
8705	D-end/boat-shape boardroom table, Spider base, square edges, 1800mm long.	1800	1200	725



SPIDER LEG



D-END

For details of finishes available with these models please refer to the Board & Fabric Finishes section of this catalogue.



BULLNOSE EDGE



SHARKNOSE EDGE

Boardroom table with 36mm thick boat shaped top. Top features 65mm x 36mm bullnose rimu edging with Penetrol oil finish. Six 90mm diameter chrome legs. Sharknose edges also available.

ELITE BOARDROOM MANTIS TABLE MODELS:

MODEL	DESCRIPTION	LENGTH mm	DEPTH mm	HEIGHT mm
8801	3600mm boardroom table, timber edges, six 90mm diameter chrome legs.	3600	1500 /1200	730
8802	3000mm boardroom table, timber edges, six 90mm diameter chrome legs.	3000	1500 /1200	730
8803	3000mm boardroom table, sharknose edges, six 90mm diameter chrome legs.	3000	1500 /1200	730